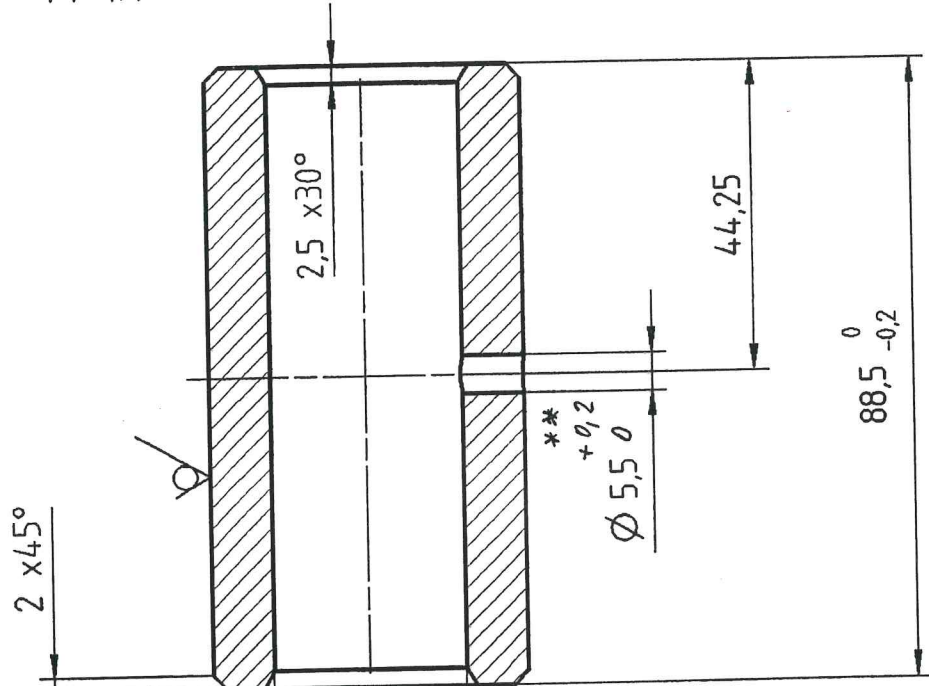
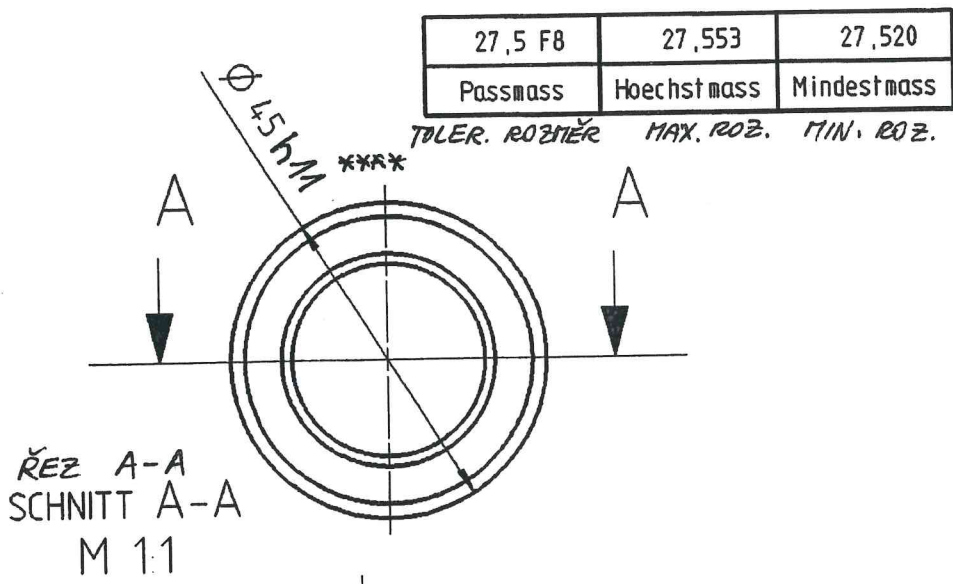


The reproduction, distribution and utilization of this document as well as the communication of its contents to others without explicit authorization is prohibited. Offenders will be held liable for the payment of damages. All rights reserved in the event of the grant of a patent, utility model or design.

KR 45	426510.12	M523.00	A7ENT 3.1
Material	Part Number	Material	Revision



**** DOPL. 17.1.2022 *Milica*

*** ZMĚNA KOTY 26.10.2018 *ha*

** NOVĚ TOLERANCE

* ZMĚNA TOL. 4.10.2013 *Milica*

*** * ~~Ø 27 H4A~~ ~~Ø 27,7 H4A~~ ~~Ø 27,5 F8~~

*** ** +0,2

Ra6,3

Milica

Kritisches Teil Critical part	PosNr. ItemNr.	Stück Pieces	Benennung Description	Teilenummer Part Number	Werkstoff Material	Norm Nummer Standard Number
	A4	E	 StoffNr. Material key 10570 Datum Date 30.04.13 Name Anqerm. Maßstab Scale 1:1 Ähnlichteil Similar part 2723.30.213.0 Gewicht Weight 0.68 kg SERIE Ers. für Repl. for --- AndNr. Mod. No. --- Ers. d. Repl. by --- Blatt / von Sheet / of 1 / 1	208.026	S355J2G3	DIN 671
Benennung / Description				HC	Zeichnungsnr. / DrawingNo.	Rev.
				00	2630.30.023.0	0
Allgemeine Anforderungen und Zeichnungsangaben siehe WN 007.022 General requirements and drawing entities refer to WN 007.022						
Datum/Date	Nr.	Name	Änderung / Modification Rohmaterial Base Material Rund 45 DIN671 ST52-3K DIN17100			

2706.1310.42